

Panda PUTF205 Series



Portable Transit-time Ultrasonic Flow Meter

Summary >>>

PUTF205 portable transit-time ultrasonic flow meter utilizes transit-time principle. The transducer is mounted outside surface of the pipe without requirements of flow stop or pipe cutting. It's very simple, convenient for installation, calibration and maintenance. Different sizes of transducers satisfy different measuring demand. Plus, select thermal energy measuring function to achieve completely energy analysis. It is widely applied in processing monitoring, water balance test, district heating balance test, energy efficiency monitoring as easy installation and simple operation advantages.



Features >>>

- Built-in Chargeable Lithium Battery Can Continuously Work 50 Hours
- 4 Lines Display Velocity, Flow Rate, Volume And Meter Status
- Clamp-on Mounted, Unnecessary Pipe Cutting Or Processing Interruption
- Fluid Temperature Range -40°C ~ 260°C
- Built-in Data Storage Is Optional
- Selecting Temperature Sensor PT1000 To Achieve Thermal Energy Measurement Function
- Suitable For DN20-DN6000 Flow Measurement By Selecting Different Size Transducers
- Bi-directional Measurement, Flow Range From 0.01m/s To 12m/s

Panda PUTF205 Series

Portable Transit-time Ultrasonic Flow Meter

Specification >>>

• Transmitter

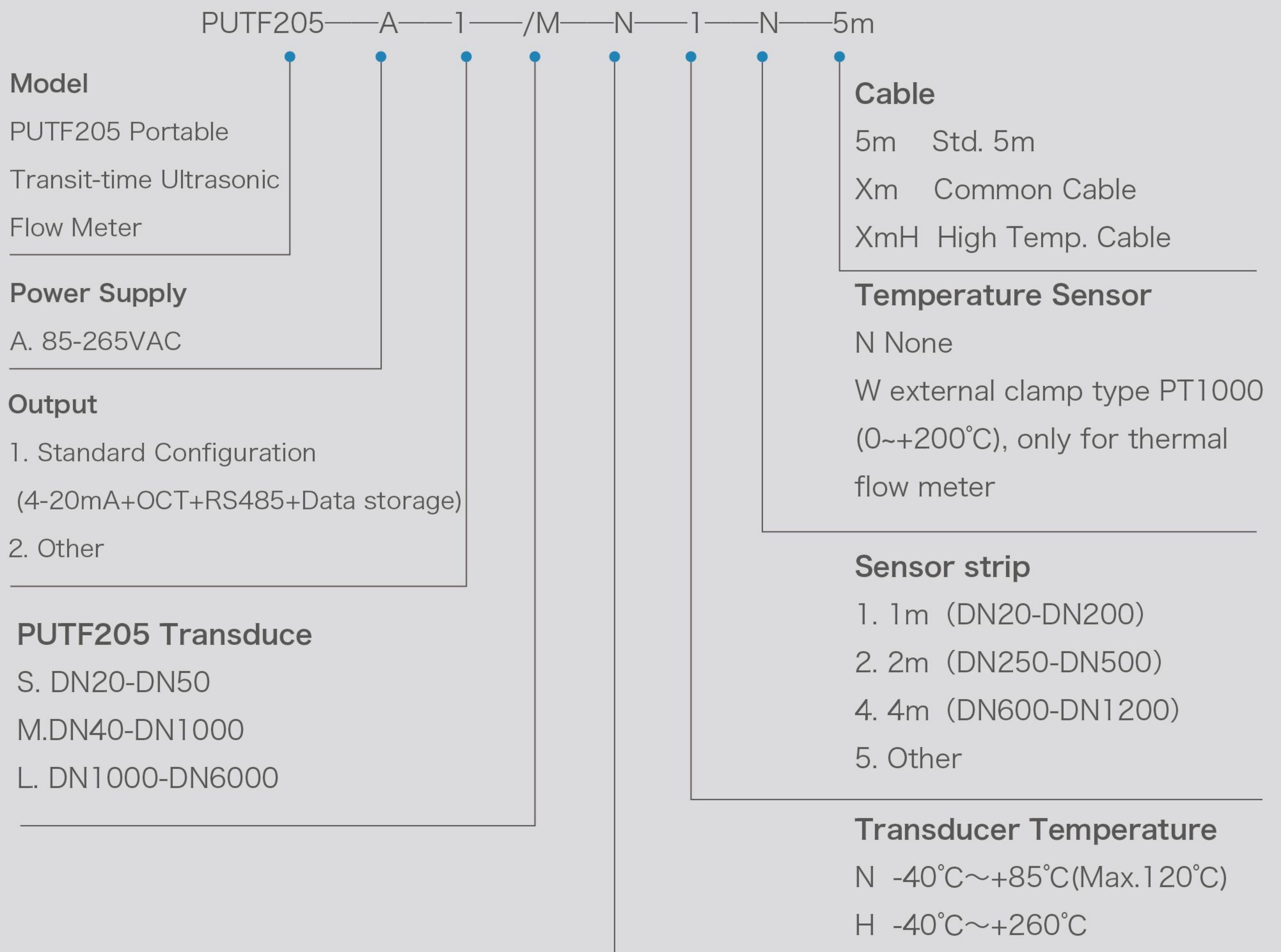
Measuring Principle	Transit-time
Velocity	0.01 - 12 m/s, Bi-directional Measurement
Resolution	0.25mm/s
Repeatability	0.10%
Accuracy	±1.0%R, ±0.5%R (velocity>0.3m/s) ; ±0.003m/s (velocity<0.3m/s)
Response Time	0.5s
Sensitivity	0.003m/s
Damping	0-99s (settable by user)
Suitable Fluid	Clean or tiny amounts of solids, air bubbles liquid , Turbidity <10000 ppm
Power Supply	AC: 85-265V AC (Built-in rechargeable battery)
Installation	Portable
Protection Class	IP66
Operating Temperature	-40°C ~ +75°C
Enclosure Material	ABS
Display	4X8 Chinese Or 4X16 English, Backlit
Measuring Unit	meter, ft, m ³ , liter, ft ³ , gallon, barrel etc.
Communication Output	4-20mA, OCT, RS485 (Modbus-RUT), Data Logger
Energy Unit	Unit: GJ, Opt: KWh
Security	Keypad Lockout, System Lockout
Size	270*246*175mm
Weight	3kg

• Transducer

Protection Class	IP67
Fluid Temperature	Std. transducer : -40°C~85°C(Max.120°C) High Temp : -40°C~260°C
Pipe Size	20mm-6000mm
Transducer Size	S (20mm-50mm) M (40mm-1000mm) L (1000mm-6000mm)
Transducer Material	Std. Aluminum alloy, High Temp.(PEEK)
Cable Length	Std. 5 m (customized)

Portable Transit-time Ultrasonic Flow Meter

Model Selection >>>



For Example: PUTF205-A-1/M-N-1-N-5m

Stands for:PUTF205 portable transit-time ultrasonic flow meter, 85-265VAC power supply,

4-20mA+OCT+RS485+Data storage output, M transducer, common transducer, stainless steel belt 1m, cable length 5m.